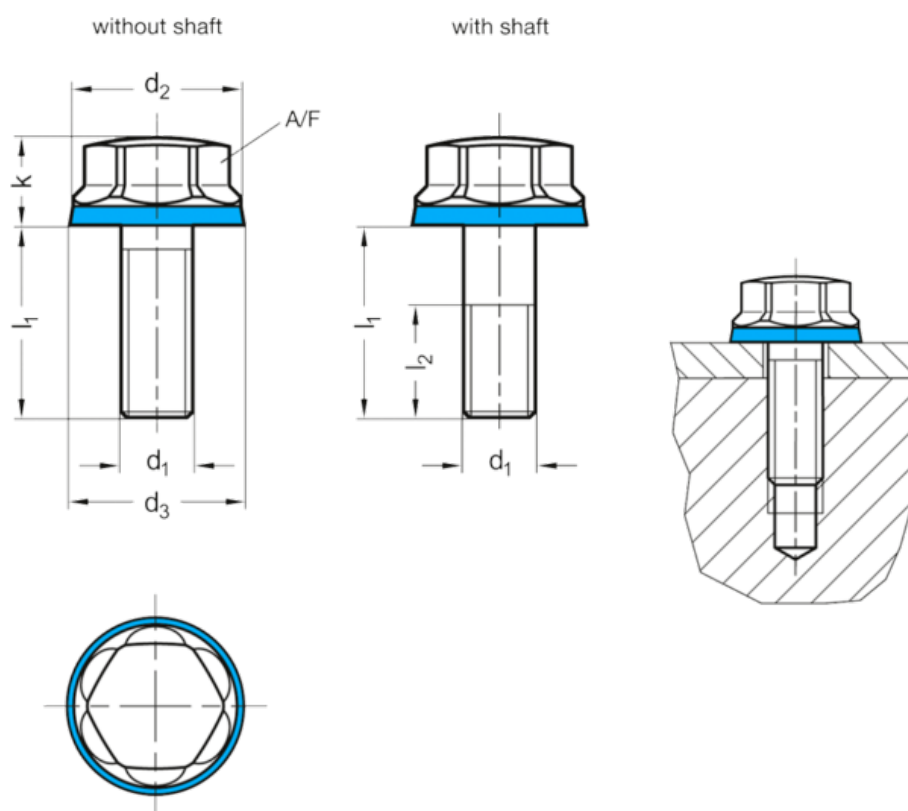


Article number: 201581M1240MTE

Description: E+G Screw GN 1581-M12-40-MT-E
EPDM Sealing ring in hygienic design

Measures



| | | |
|------------------|--------|--------------------|
| A/F | = 18 | Weight in (g) = 59 |
| d1 | = M12 | |
| d2 | = 22 | |
| d3 | = 22.8 | |
| l1 without shaft | = - | |
| l1 with shaft | = 40 | |
| l2 | = 30 | |
| k | = 11 | |